



2x2

15W, 19W, 24W and 29W



2x4

24W, 29W, 32W and 39W

LED Multi Watt Multi CCT Troffer Retrofit Kit Family Series

CONSTRUCTION:

Steel and Aluminum frame. Matte white finish. The entire fixture functions as a heat sink to keep the LEDs cooler to prolong the life of the light.

OPTICAL SYSTEM:

Samsung 2835 LED chips. 110° beam angle.

WARRANTY:

5-year limited warranty. Actual performance may differ as a result of end-user environment and application.

ELECTRICAL:

120-277V input standard.
-20°C to 50°C, -4°F to 122°F

INSTALLATION & MOUNTING:

Fits most preexisting troffers.

CONTROLS & DIMMING:

0-10V dimming comes standard. Suitable for use with LED dimmers.

FEATURES

- Default Wattage:
 - 2x4 – 39W
 - 2x2 – 29W
- Default CCT: 5,000K
- IP20 rated
- Glare-free lighting
- 100,000 hours lifetime

SUITABLE APPLICATIONS

- Warehouses
- Schools
- Factories
- Offices
- Supermarkets
- Logistic Centers
- Exhibition Halls

DLC Product ID:

- LOC-22TRKT-DMWMCCT-[Blank,EM]-[Blank,MS] – PLQF9VNUUX03
- LOC-24TRKT-DMWMCCT-[Blank,EM]-[Blank,MS] – PL638SMZ44W7



OPTIONAL ACCESSORIES:



LOC-EMDR-15W-050



LOD-EXTED-M20W



LOC-AC-MS-QBL-DH-01
Bi-level daylight
harvesting microwave

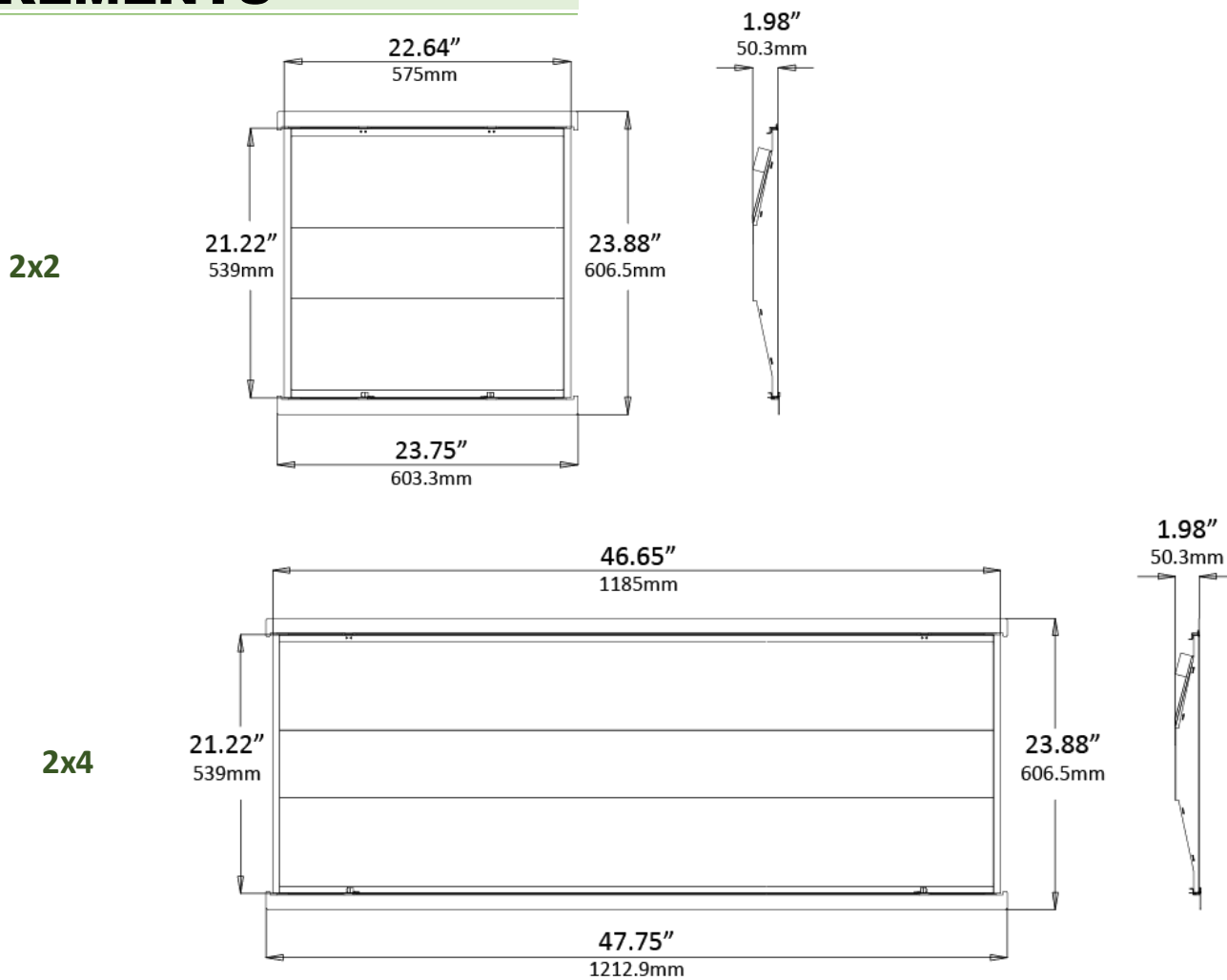
LOC-22TRKT-DMWMCCT

WATTAGE SELECTABLE	CCT SELECTABLE	LUMENS	EFFICACY	VOLTAGE	CRI	POWER FACTOR	THD	REPLACES
15W	3500K / 4000K / 5000K	2,103.6LM	140.24LM/W	120-277V	82.6	0.9758	10.78%	150W HID
19W	3500K / 4000K / 5000K	2,664.56LM	140.24LM/W	120-277V	82.6	0.9758	10.78%	150W HID
24W	3500K / 4000K / 5000K	3,365.76LM	140.24LM/W	120-277V	82.6	0.9758	10.78%	150W HID
29W	3500K / 4000K / 5000K	4,066.2LM	140.24LM/W	120-277V	82.6	0.9758	10.78%	150W HID

LOC-24TRKT-DMWMCCT

WATTAGE SELECTABLE	CCT SELECTABLE	LUMENS	EFFICACY	VOLTAGE	CRI	POWER FACTOR	THD	REPLACES
24W	3500K / 4000K / 5000K	3,246.96LM	135.29LM/W	120-277V	82.7	0.966	7.03%	200W HID
29W	3500K / 4000K / 5000K	3,923.41LM	135.29LM/W	120-277V	82.7	0.966	7.03%	200W HID
32W	3500K / 4000K / 5000K	4,329.28LM	135.29LM/W	120-277V	82.7	0.966	7.03%	200W HID
39W	3500K / 4000K / 5000K	5,276.9LM	135.29LM/W	120-277V	82.7	0.966	7.03%	200W HID

MEASUREMENTS



MODEL	QUANTITY	WEIGHT	UPC CODE
LOC-22TRKT-DMWMCCT	1	5.75 lbs	00815586020089
LOC-24TRKT-DMWMCCT	1	10.10 lbs	00815586020096